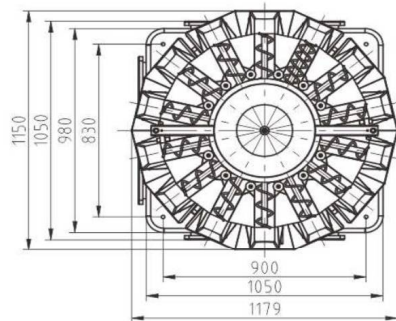
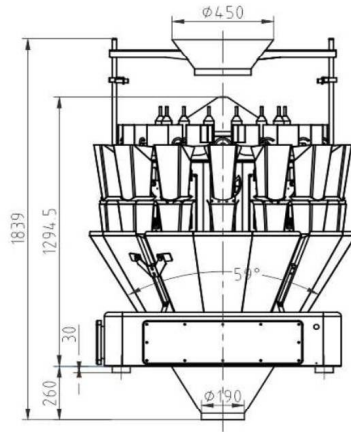


## SCREW FEEDING WEIGHER

LH PACKAGING BV  
http://www.lhpackaging.nl



### Screw Feeding Weigher



## SCREW FEEDING WEIGHER



### Application

It is suitable for weighing the sticky material, such as meat.

5. Scraper hopper design solves problems of material sticking on the hoppers.
6. 60° discharging chute discharge makes sure products discharge smoothly.

### Features

1. Arc-shaped machine frame .
2. Integral machine frame with middle standing increases the stability of machine frame and improves performance.
3. Special actuator design makes the new hoppers work better and read weight figure quickly.
4. Screw feeding instead of vibrating feeding, suits for sticky material.

### Mechanical Character

1. Second generation modular control system.
2. Screw feeding instead of vibrating feeding, suits for sticky material.
3. Stagger hopper design to solve problems of sticking on the hoppers.
4. 60° discharging chute will discharge material smoothly.

### Technical Specification

|                       |  |
|-----------------------|--|
| Model                 | LH-14SF-II                                       |
| Single Weighing Range | 10-1000g   |
| Accuracy              | X(0.5)   |
| Max Speed             | 60P/M  |
| Hopper Volume         | 1.6L   |
| Control Panel         | 9.7" Touch Screen                                |
| Options               | Dimple Plate/Timing Hopper/Printer/Reject Device |
| Driving System        | Step Motor                                       |
| Power Requirement     | 220V/1500W/50/60HZ/10A                           |
| Packing Dimension(mm) | 1700(L)x1200(W)x1300(H)                          |
| Gross Weight          | 500kg  |