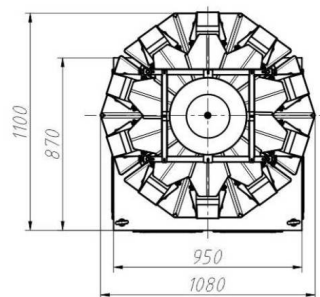
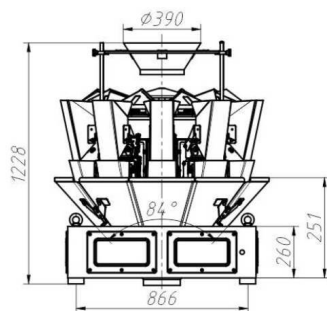


NO-SPRING WEIGHER

LH PACKAGING BV
http://www.lhpackaging.nl



No-spring Weigher



NO-SPRING WEIGHER



Application

It is suitable for weighing granules at small target weight such as peanuts, sunflowers, candy, chocolate ball, meatballs, etc.

- 6. 15 languages available for global markets.
- 7. Linear amplitude can be adjusted independently.

Features

1. Program recovery function can reduce operation failures.
2. No products auto pause function can improve weighing stability and accuracy.
3. High-precision digital load cell.
4. User-friendly help menu in touch screen contributes to easy operation.
5. 100 programs capacity can meet various weighing requirement.

Mechanical Character

1. No Spring design for food safety.
2. Uniform design standards contribute to better interchangeability for spare parts.
3. Combined with high accuracy and high speed, a best combination is selected by CPU instantly from many good combinations.

Technical Specification

Model	LH-10NS-I	LH-14NS-I
Single Weighing Range	20-800g	20-1000g
Accuracy	X(0.5)	X(0.5)
Max Speed	50P/M	80P/M
Hopper Volume	1.6L/2.5L	
Control Panel	7.0" Touch Screen	
Options	Dimple Plate/Timing Hopper/Printer/Reject Device	
Driving System	Step Motor	
Power Requirement	220V/1000W/50/60HZ/10A	220V/1500W/50/60HZ/12A
Packing Dimension(mm)	1700(L)X1100(W)X1140(H)	1700(L)X1110(W)X1130(H)
Gross Weight	380kg	490kg