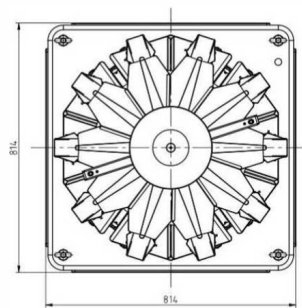
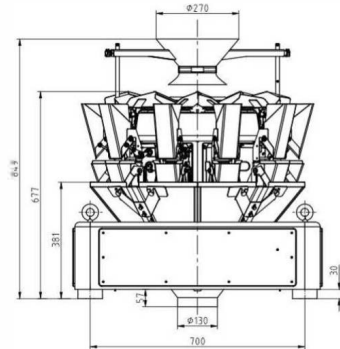


SUPER MINI WEIGHER

L.H. PACKAGING BV
http://MWW.lhpackaging.nl



Super Mini Weigher



SUPER MINI WEIGHER



Application

It is suitable for weighing small weight granules such as seeds, tea, coffee beans etc.

5. Integrate waterproof cover and new waterproof shell increase waterproof performance.

Features

1. Adopt high accurate loadcell of famous brand.
2. 0.3L hopper, Low vibrating design, good performance.
3. Arc-shaped machine frame and new machine body cover, improves stability and appearance.
4. Integral machine frame with middle standing increases the stability of machine frame and hoppers.

Mechanica! Character

Added the function of detecting automatically for hopper's motor position helps to avoid hoppers' anomalous closing when the machine starts to zero.

Technica! Specification

Model	LH-10SM-1	LH-14SM-1
Single Weighing Range	1-60g	1-60g
Accuracy	X(O. 5)	X(O. 5)
Max Speed	65P/M	120P/M
Hopper Volume	0.3L	
Control Panel	7.0" Touch Screen	
Options	Dimple ?late/Timing Hopper/Printer/Reject Device	
Driving System	Step Motor	
Power Requirement	220V/900W/ 50/60HZ/8A	220V/1100W/50/60HZ/10A
Packing Dimension(mm)	1200(L)x980(W)x980(H)	1200(L)x980(W)x980(H)
Gross Weight	180kg	220kg